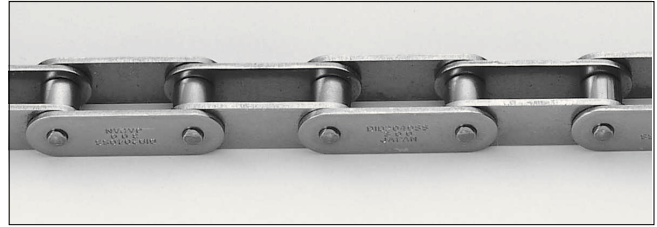
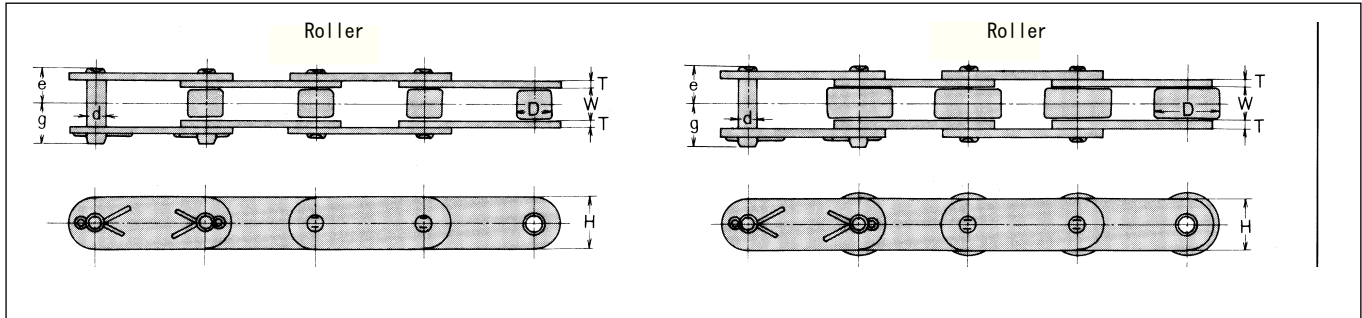


2-1 Double Pitch Chain and Dimensions

Double Pitch Chain



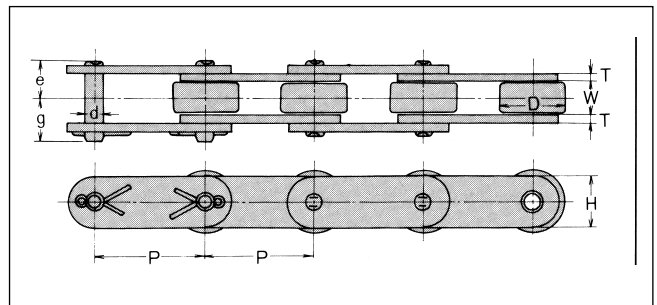
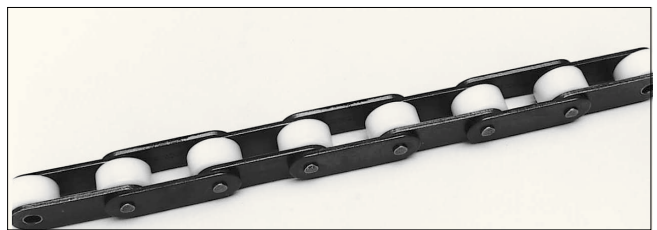
ROLLER CHAIN & DOUBLE PITCH CHAIN FOR CONVEYOR SYSTEM



| Chain No. DID | Pitch P | Roller Link Width W | Roller Dia. D | Pin | | | Plate | | Avg. Tensile Strength lbs. | Max. Allowable Load lbs. | Approx. Weight lbs. |
|--------------------|------------|------------------------|------------------|-------|-------|-------|-------|-------|-------------------------------|-----------------------------|------------------------|
| | | | | d | e | g | T | H | | | |
| RC2040 RC2042 | 1.000 | 0.313 | 0.312 0.625 | 0.156 | 0.327 | 0.398 | 0.059 | 0.461 | 3828 | 594 | 0.329 0.577 |
| RC2050 RC2052 | 1.250 | 0.375 | 0.400 0.750 | 0.200 | 0.402 | 0.476 | 0.079 | 0.594 | 6446 | 990 | 0.563 0.885 |
| RC2060H RC2062H | 1.500 | 0.500 | 0.469 0.875 | 0.235 | 0.563 | 0.669 | 0.126 | 0.677 | 9020 | 1452 | 0.972 1.455 |
| RC2080H RC2082H | 2.000 | 0.625 | 0.625 1.125 | 0.313 | 0.713 | 0.811 | 0.157 | 0.917 | 15400 | 2530 | 1.650 2.367 |
| RC2100H RC2102H | 2.500 | 0.750 | 0.750 1.562 | 0.376 | 0.858 | 0.961 | 0.189 | 1.134 | 25300 | 4180 | 2.414 3.896 |
| RC2120H RC2122H | 3.000 | 1.000 | 0.875 1.750 | 0.437 | 1.067 | 1.177 | 0.220 | 1.331 | 35200 | 5720 | 3.413 5.425 |
| RC2160H RC2162H | 4.000 | 1.250 | 1.125 2.250 | 0.563 | 1.339 | 1.504 | 0.280 | 1.866 | 58300 | 9460 | 5.975 9.120 |

Double pitch chain with resin rollers

This is a DID double pitch chain with R rollers made of a resin, which are quieter and lighter than steel rollers. Thus, the chain is suitable for a conveyor system designed to operate quietly and convey light-weight articles. Since the components other than rollers are made of steel, the average tensile strength of a resin roller chain is the same as that of a steel roller chain. However, if the engagement pressure with the sprockets risks damaging the resin rollers, the "maximum allowable load" of the chain is kept low, as shown in the following table. The "Allowable load of resin rollers" refers to the allowable load acting when conveyed articles press the resin rollers traveling on the floor surface.



| Chain No. DID | Material of Roller | Variation of Chain Components except Roller | Max. Allowable Load | Max. Allowable Load of Plastic Roller | Weight (lbs/FT) | Allowable Operational Temperature |
|------------------|----------------------------------|---|---------------------|---------------------------------------|-----------------|-----------------------------------|
| | | | lbs | lbs | | |
| RC2042 | Engineering Plastic (Polyacetal) | 3 Variations are available. • Standard Steel • Rustless Type (Nickel Plated) • Stainless Steel | 99 | 44 | 0.51 | - 10°C~80°C (14°F~176°F) |
| RC2052 | | | 154 | 66 | 0.85 | |
| RC2062H | | | 231 | 110 | 1.46 | |
| RC2082H | | | 396 | 198 | 2.58 | |