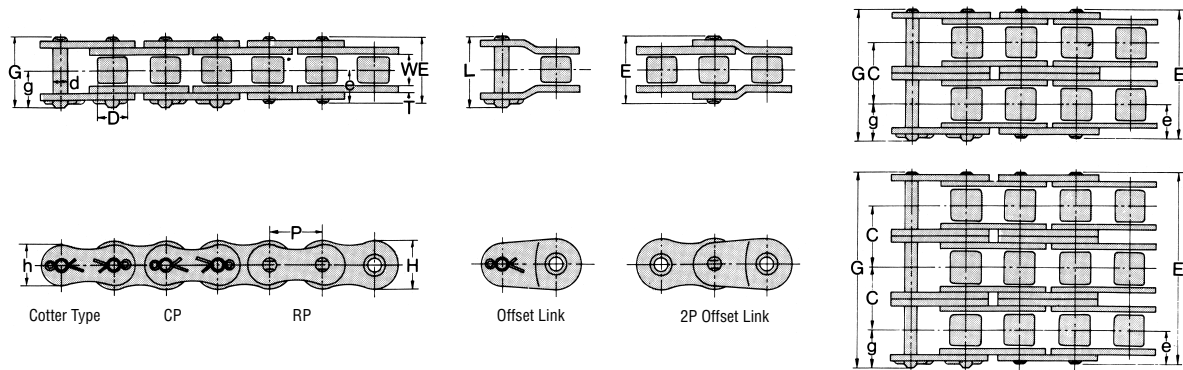


RC120 Standard Roller Chain



Dimensions

Unit (inch)

Chain No.	Pitch	Roller Link Width	Roller Dia.	Pin							Transverse Pitch	Plate			JIS Min. Tensile Strength	DID Min. Tensile Strength	DID Avg. Tensile Strength	DID Max. Allowable Load	Approx. Weight (lbs/Ft)
				D	d	E	G	L	e	g		C	T	H					
RC120	120	1.500	1.000	0.875	0.437	1.957	2.087	2.209	0.980	1.110	1.787	0.189	1.413	1.228	27953	33000	37400	6820	3.68
RC120-2	120-2					3.748	3.878	3.921							55906	66000	74800	11594	7.38
RC120-3	120-3					5.535	5.665	5.709							83860	99000	112200	17050	11.06
RC120-4	120-4					7.327	7.457	7.500							111813	132000	149600	22506	14.75
RC120-5	120-5					9.114	9.244	9.287							139766	165000	187000	26598	18.44

Max. Horsepower Ratings

Unit (hp)

No. of Teeth of Small Sprocket	Revolutions per minute-Small Sprocket (rpm) (Please refer to P.76 for more details regarding type of lubrication A, B and C.)																								
	A			B							C														
	10	25	50	100	150	200	300	400	500	600	700	800	900	1000	1100	1200	1300	1400	1500	1600	1700	1800	1900	2000	2100
11	2.02	4.62	8.65	16.10	23.20	30.20	43.30	56.20	68.60	58.30	46.40	37.90	31.80	27.10	23.50	20.60	18.40	16.40	14.70	13.40	12.20	11.20	10.40	9.58	8.91
12	2.23	5.08	9.49	17.70	25.50	33.10	47.60	61.70	75.50	66.50	52.80	43.20	36.20	31.00	26.80	23.50	20.90	18.60	16.90	15.30	13.90	12.80	11.80	10.90	
13	2.43	5.55	10.30	19.30	27.90	36.10	51.90	67.30	82.20	74.90	59.50	48.70	40.90	34.90	30.20	26.50	23.50	21.00	19.00	17.20	15.70	14.50	13.30	12.30	
14	2.63	6.01	11.20	20.90	30.20	39.00	56.30	72.90	89.00	83.80	66.50	54.40	45.60	39.00	33.80	29.60	26.30	23.50	21.20	19.30	17.60	16.10	14.90	13.80	
15	2.84	6.47	12.10	22.50	32.40	42.10	60.60	78.60	96.00	92.90	73.70	60.30	50.50	43.20	37.40	32.80	29.10	26.10	23.50	21.30	19.40	17.80	16.50		
16	3.04	6.94	12.90	24.10	34.90	45.00	65.00	84.20	103	102	81.20	66.50	55.80	47.60	41.30	36.20	32.20	28.70	25.90	23.50	21.40	19.70	18.20		
17	3.24	7.41	13.80	25.90	37.10	48.10	69.30	89.80	110	112	89.00	72.80	61.00	52.10	45.20	39.70	35.10	31.50	28.40	25.70	23.50	21.60	19.80		
18	3.46	7.88	14.70	27.50	39.50	51.20	73.70	95.60	117	122	96.90	79.40	66.50	56.80	49.20	43.20	38.30	34.30	31.00	28.00	25.60	23.50	21.70		
19	3.66	8.35	15.50	29.10	42.00	54.30	78.20	101	124	132	105	86.10	72.10	61.50	53.40	46.80	41.60	37.10	33.50	30.40	27.70	25.50			
20	3.87	8.83	16.50	30.70	44.20	57.40	82.70	107	131	143	114	92.90	77.90	66.50	57.60	50.50	44.90	40.20	36.20	32.80	30.00	27.50			
21	4.08	9.30	17.40	32.40	46.60	60.50	87.10	113	138	154	122	100	83.80	71.60	62.10	54.40	48.30	43.20	39.00	35.40	32.30	29.60			
22	4.29	9.79	18.20	34.00	49.10	63.70	91.70	119	145	165	131	107	89.80	76.70	66.50	58.30	51.70	46.40	41.80	37.90	34.60	31.80			
23	4.50	10.30	19.20	35.80	51.50	66.80	96.10	125	153	177	139	115	96.10	82.00	71.00	62.30	55.40	49.50	44.60	40.50	37.00				
24	4.72	10.80	20.10	37.40	53.90	69.80	101	130	160	188	149	122	102	87.40	75.70	66.50	59.00	52.80	47.60	43.20	39.40				
25	4.93	11.20	20.90	39.10	56.40	73.10	105	137	166	196	158	130	109	92.90	80.60	70.60	62.70	56.20	50.50	46.00	42.00				
28	5.56	12.70	23.70	44.20	63.70	82.60	119	154	188	221	188	154	129	110	95.40	83.80	74.30	66.50	59.90	54.40					
30	5.99	13.70	25.60	47.70	68.60	88.90	128	166	202	239	209	170	143	122	106	92.90	82.40	73.70	66.50						
32	6.43	14.60	27.30	51.10	73.60	95.30	137	178	217	256	229	188	158	134	117	102	90.80	81.20							
35	7.09	16.20	30.20	56.30	81.10	105	151	196	240	283	263	214	181	155	133	117	104								
40	8.19	18.60	34.90	65.00	93.70	121	174	227	276	326	322	263	220	188	164										
45	9.29	21.20	39.50	73.90	106	138	198	257	314	370	383	314	263	224											
50	10.40	23.70	44.40	82.70	119	154	223	288	353	416	449	367	308												
55	11.50	26.30	49.20	91.70	132	172	247	319	390	460	517	424													
60	12.70	29.00	54.00	101	145	188	271	351	429	505	580														

Note: Value in above table is for single strand chain only. For multiplex chain, please apply the coefficient of Multi-strand. Please refer to chain selection on P.64. Please consult with us when the ratings are to the right of the solid blue line.