

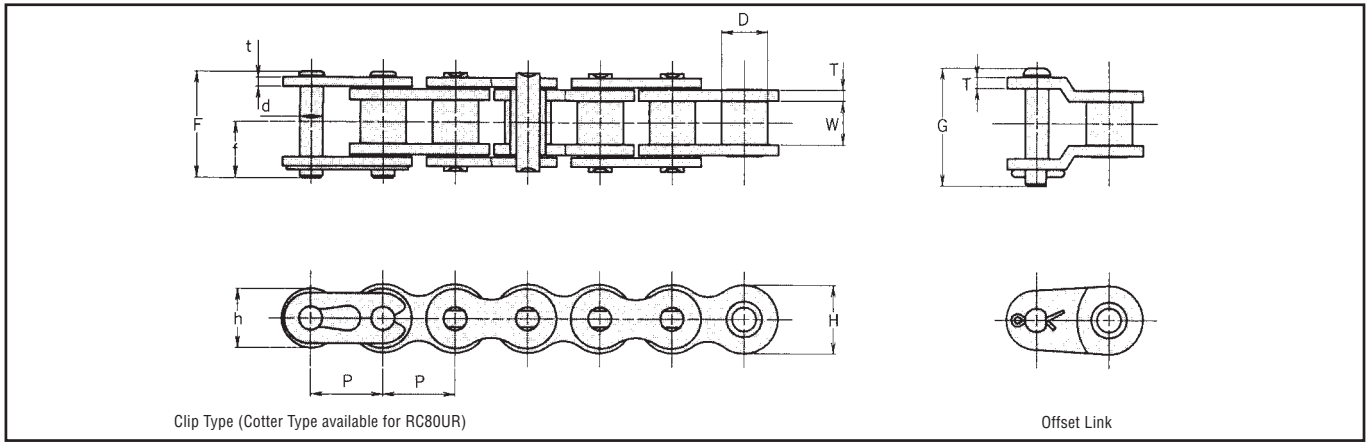
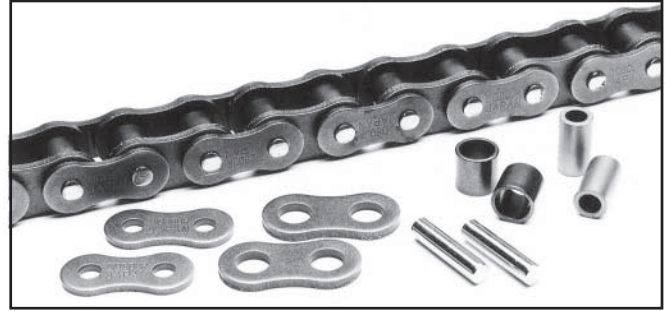
## 2-3-5 **DID** UR (URN/URF) Chain and Maximum HP Ratings

TRANSMISSION  
ROLLER CHAIN

ULTIMATE LIFE  
CHAIN SERIES

DID UR roller chain has bushings made of a sintered alloy which is impregnated with lubricating oil during manufacture. The sintered bushing roller chain is a maintenance-free chain suitable for applications where lubrication is not permitted. In appearance sensitive applications, a rustless (URN) is recommended (for rustless chain, see P.54). In applications, limit the traveling speed 492 ft/min. or less. For a dusty environment, the use of an O-ring chain is recommended.

URF is the heat resistant version of UR chain which is applicable up to 400°F. The wear life at 400°F is two times as long as the regular UR chain.



### Dimensions

Chain No.	Pitch <b>P</b>	Roller Link Width <b>W</b>	Roller Dia. <b>D</b>	Pin				Plate				Avg. Tensile Strength lbs.	Max. Allowable Load lbs.	Approx. Weight (lbs/FT)
				d	F	f	G	T	t	H	h			
RC40UR, URN, URF	0.500	0.313	0.312	0.156	0.748	0.409	0.807	0.079	0.059	0.472	0.409	4004	836	0.463
RC50UR, URN, URF	0.625	0.375	0.400	0.200	0.898	0.484	0.984	0.094	0.079	0.591	0.591	6710	1540	0.731
RC60UR, URN, URF	0.750	0.500	0.469	0.235	1.138	0.622	1.303	0.126	0.094	0.713	0.713	9460	2090	1.147
RC80UR, URN, URF	1.000	0.623	0.625	0.313	1.461	0.787	1.563	0.157	0.126	0.945	0.945	17270	3300	1.878

Note) UR: Sintered Bushing Roller Chain URN: Rustless Sintered Bushing Roller Chain

### Design of chain transmission

In a sintered bushing roller chain, to compensate for the strength lowered by the use of sintered bushing, the inner plates are thicker than those of a standard roller chain, and the pins are longer.

For selecting a proper sintered bushing roller chain, refer to "General selection"(P.91). Use the tables for sintered bushing roller chain which specify the maximum horsepower speed selection". In the tables of dimensions, the "maximum allowable load", only the tensile tension is taken into account, and the shock load is not considered.

### Connecting links and offset links

For sintered bushing roller chain, clip type connecting links are used for 60 or smaller, and cotter type connecting link, for 80 or larger. Offset links, are available. In either case, please specify "For a sintered bushing roller chain".

In the table of maximum horsepower ratings, the strength of the connecting links and offset links are taken into account.