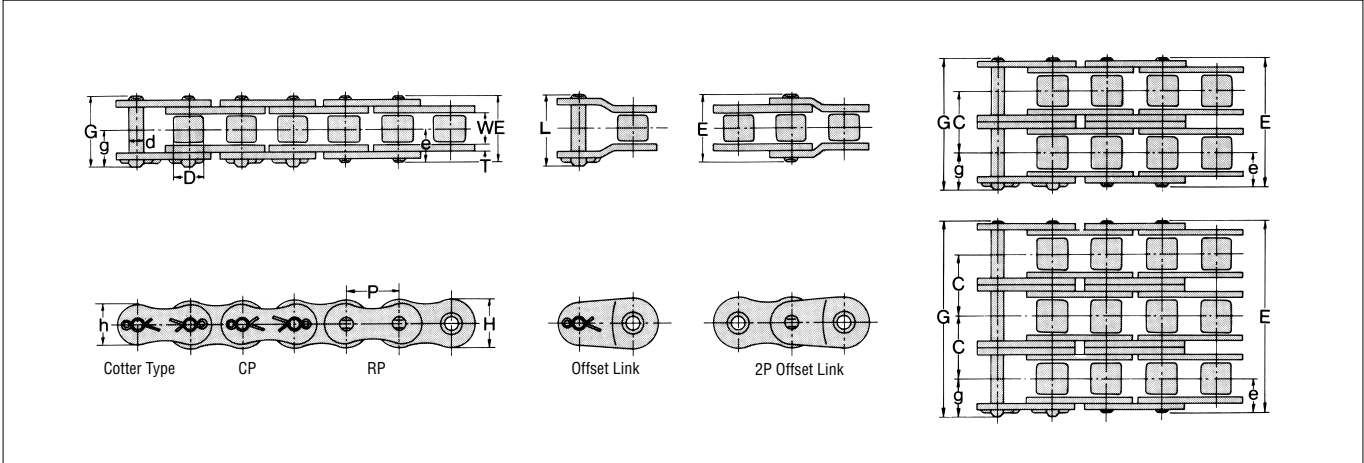


RC100 Standard Roller Chain

TRANSMISSION ROLLER CHAIN



Dimensions

Unit (inch)

Chain No.	Pitch	Roller Link Width W	Roller Dia. D	Pin							Transverse Pitch C	Plate			JIS Min. Tensile Strength lbs	DID Min. Tensile Strength lbs	DID Avg. Tensile Strength lbs	DID Max. Allowable Load lbs	Approx. Weight (lbs/ft)
				d	E	G	L	e	g	T		H	h						
RC100	100	1.250	0.750	0.750	0.376	1.555	1.673	1.780	0.780	0.894	1.409	0.157	1.177	1.024	19450	24200	26620	5060	2.54
RC100-2	100-2					2.965	3.083	3.193							38900	48400	53240	8602	5.05
RC100-3	100-3					4.378	4.496	4.535							58351	72600	79860	12650	7.58
RC100-4	100-4					5.787	5.906	5.945							77801	96800	106480	16698	10.13
RC100-5	100-5					7.201	7.319	7.358							97251	121000	133100	19734	12.67

Max. Horsepower Ratings

Unit (hp)

No. of Teeth of Small Sprocket	Revolutions per minute-Small Sprocket (rpm) (Please refer to P.76 for more details regarding type of lubrication A, B and C.)																										
	A							B							C												
	10	25	50	100	200	300	400	500	600	700	800	900	1000	1100	1200	1300	1400	1600	1800	2000	2200	2400	2500	2600	2700		
11	1.21	2.75	5.13	9.57	17.80	25.70	33.4	40.80	48.00	40.10	32.70	27.50	23.50	20.40	17.80	15.80	14.20	11.60	9.71	8.28	7.18	6.30	5.92	5.59	1.46		
12	1.33	3.02	5.63	10.50	19.60	28.30	36.6	44.80	52.80	45.60	37.40	31.20	26.70	23.20	20.40	18.00	16.10	13.20	11.10	9.44	8.19	7.18	6.76	6.37			
13	1.45	3.30	6.14	11.50	21.40	30.80	39.9	48.80	57.50	51.50	42.10	35.30	30.20	26.10	22.90	20.40	18.20	14.90	12.50	10.60	9.24	8.10	7.61	7.18			
14	1.57	3.57	6.66	12.40	23.20	33.40	43.3	52.90	62.30	57.50	47.10	39.40	33.60	29.20	25.60	22.70	20.40	16.60	13.90	11.90	10.30	9.05	8.51				
15	1.69	3.85	7.17	13.40	24.90	35.90	46.6	57.00	67.20	63.80	52.10	43.70	37.40	32.30	28.40	25.20	22.50	18.50	15.40	13.20	11.40	10.00	9.44				
16	1.81	4.12	7.69	14.30	26.80	38.60	50.0	61.10	72.00	70.20	57.50	48.10	41.20	35.70	31.20	27.70	24.80	20.40	17.00	14.60	12.60	11.10	10.40				
17	1.93	4.40	8.20	15.30	28.60	41.20	53.4	65.30	76.80	76.90	63.00	52.80	45.00	39.00	34.30	30.40	27.20	22.30	18.60	16.00	13.80	12.10					
18	2.05	4.68	8.73	16.40	30.40	43.80	56.7	69.40	81.80	83.80	68.60	57.50	49.10	42.50	37.40	33.10	29.60	24.30	20.40	17.30	15.00	13.20					
19	2.17	4.96	9.26	17.30	32.30	46.40	60.2	73.60	86.60	90.90	74.40	62.30	53.20	46.10	40.50	35.90	32.20	26.30	22.00	18.80	16.40	14.30					
20	2.29	5.24	9.79	18.20	34.00	49.10	63.5	77.70	91.60	98.10	80.40	67.30	57.50	49.90	43.70	38.70	34.70	28.40	23.90	20.40	17.60						
21	2.43	5.52	10.30	19.30	35.90	51.70	67.0	81.90	96.50	106	86.50	72.40	61.80	53.60	47.10	41.70	37.40	30.60	25.60	21.80	18.90						
22	2.55	5.82	10.80	20.20	37.80	54.40	70.5	86.20	101	113	92.60	77.60	66.40	57.50	50.40	44.80	40.10	32.70	27.50	23.50	20.40						
23	2.67	6.10	11.40	21.20	39.70	57.10	74.0	90.30	107	121	99.10	83.00	70.90	61.40	53.90	47.90	42.80	35.00	29.40	25.10	21.70						
24	2.80	6.38	11.90	22.30	41.60	59.80	77.5	94.60	112	128	106	88.50	75.60	65.50	57.50	50.90	45.60	37.40	31.20	26.70	23.20						
25	2.92	6.68	12.50	23.20	43.40	62.50	81.0	98.90	117	134	112	94.10	80.30	69.60	61.0	54.20	48.50	39.70	33.20	28.40	24.50						
28	3.31	7.55	14.10	26.30	49.10	70.60	91.4	112	132	151	133	112	95.20	82.60	72.40	64.20	57.50	47.10	39.40	33.60							
30	3.57	8.12	15.10	28.30	52.80	76.00	98.5	121	142	164	147	124	106	91.60	80.30	71.20	63.80	52.10	43.70								
32	3.82	8.71	16.20	30.30	56.60	81.50	106	129	153	174	162	137	116	101	88.50	78.40	70.20	57.50	48.10								
35	4.21	9.60	18.00	33.40	62.30	89.80	116	142	168	193	186	155	133	115	101	89.80	80.30	66.20									
40	4.87	11.10	20.60	38.60	72.00	104	134	165	193	223	227	190	162	141	124	110	98.10										
45	5.52	12.60	23.50	43.80	81.80	118	153	186	220	252	271	227	194	168	147	131											
50	6.18	14.10	26.30	49.20	91.70	132	172	209	247	283	318	265	227	197													
55	6.85	15.70	29.20	54.40	102	146	189	232	273	314	354	307	263														
60	7.53	17.20	32.00	59.80	112	161	208	255	300	345	389	350															

Note: Value in above table is for single strand chain only. For multiplex chain, please apply the coefficient of Multi-strand. Please refer to chain selection on P.64. Please consult with us when the ratings are to the right of the solid blue line.