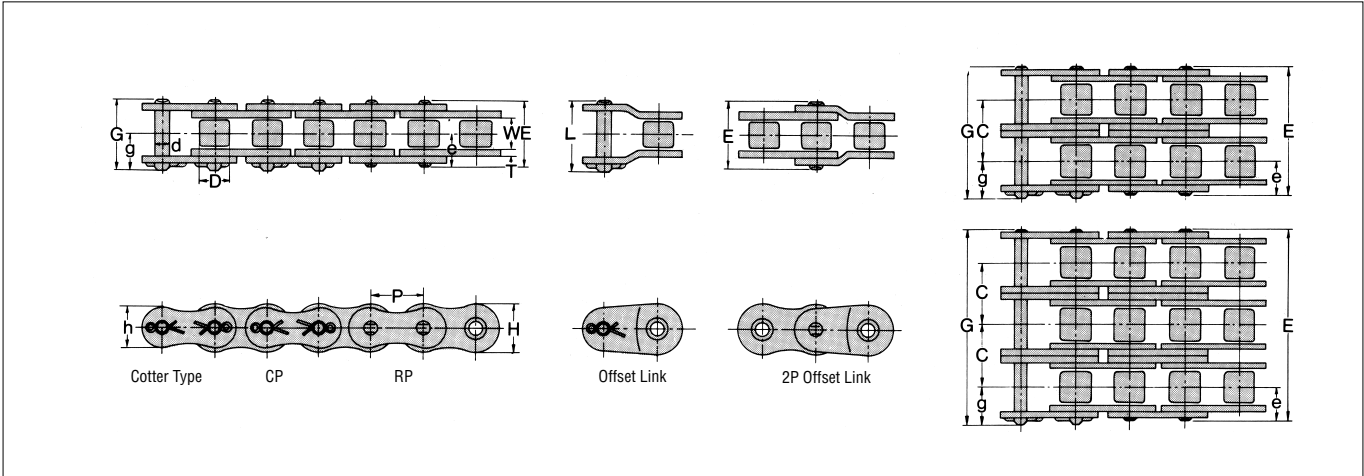


RC140 Standard Roller Chain



Dimensions

Unit (inch)

Chain No.	Pitch	Roller Link Width	Roller Dia.	Pin							Transverse Pitch	Plate			JIS Min. Tensile Strength	DID Min. Tensile Strength	DID Avg. Tensile Strength	DID Max. Allowable Load	Approx. Weight (lbs/FT)
				d	E	G	L	e	g	C		T	H	h					
RC140	140	1.750	1.000	1.000	0.500	2.110	2.299	2.346	1.055	1.248	1.925	0.220	1.650	1.429	37913	43340	48400	9020	4.77
RC140-2	140-2					4.039	4.228	4.276							75825	86680	96800	15334	9.45
RC140-3	140-3					5.965	6.154	6.201							113738	130020	145200	22550	14.15
RC140-4	140-4					7.894	8.083	8.130							151650	173360	193600	29766	18.84
RC140-5	140-5					9.819	10.008	10.055							189563	216700	242000	35178	23.40

Max. Horsepower Ratings

Unit (hp)

No. of Teeth of Small Sprocket	Type of Lubrication	Revolutions per minute-Small Sprocket (rpm) (Please refer to P.76 for more details regarding type of lubrication A, B and C.)																								
		A					B					C														
		10	25	50	100	150	200	250	300	350	400	450	500	550	600	700	800	900	1000	1100	1200	1300	1400	1500	1600	1650
11		3.14	7.16	13.40	24.90	35.90	46.60	56.90	67.10	77.00	86.90	96.60	106.00	115.50	125.00	134.50	144.00	153.50	163.00	172.50	182.00	191.50	201.00	210.50	220.00	229.50
12		3.45	7.87	14.70	27.30	39.50	51.10	62.50	73.70	84.60	95.40	106	116	126	136	146	156	166	176	186	196	206	216	226	236	246
13		3.77	8.58	16.10	29.90	43.00	55.80	68.20	80.30	92.30	104	116	128	140	152	164	176	188	200	212	224	236	248	260	272	284
14		4.08	9.29	17.30	32.40	46.60	60.40	73.80	87.00	100	113	125	138	151	164	177	190	203	216	229	242	255	268	281	294	307
15		4.40	10.00	18.60	34.90	50.30	65.10	79.50	93.70	108	121	135	149	163	177	191	205	219	233	247	261	275	289	303	317	331
16		4.71	10.70	20.10	37.40	53.90	69.80	85.30	101	115	130	145	160	175	190	205	220	235	250	265	280	295	310	325	340	355
17		5.03	11.50	21.40	39.90	57.50	74.50	91.10	107	123	139	155	171	187	203	219	235	251	267	283	299	315	331	347	363	379
18		5.35	12.20	22.80	42.50	61.10	79.20	96.90	114	131	148	164	181	198	215	232	249	266	283	300	317	334	351	368	385	402
19		5.67	12.90	24.10	45.00	64.90	84.00	103	121	139	157	174	192	210	228	246	264	282	300	318	336	354	372	390	408	426
20		5.99	13.70	25.50	47.60	68.50	88.80	109	128	147	166	184	203	221	240	259	278	297	316	335	354	373	392	411	430	449
21		6.31	14.30	26.90	50.10	72.20	93.60	114	135	155	175	194	213	233	253	273	293	313	333	353	373	393	413	433	453	473
22		6.64	15.10	28.30	52.70	76.00	98.40	120	142	163	184	204	224	244	264	284	304	324	344	364	384	404	424	444	464	484
23		6.97	16.00	29.60	55.40	79.70	103	126	149	171	193	214	236	257	279	301	323	345	367	389	411	433	455	477	499	521
24		7.29	16.60	31.10	57.90	83.40	108	132	156	179	202	224	247	270	293	316	339	362	385	408	431	454	477	500	523	546
25		7.63	17.40	32.40	60.60	87.20	113	138	163	187	211	234	258	281	305	329	353	377	401	425	449	473	497	521	545	569
28		8.62	19.70	36.70	68.50	98.60	128	156	184	211	238	265	291	318	345	372	399	426	453	480	507	534	561	588	615	642
30		9.28	21.20	39.50	73.70	106	138	168	198	228	257	285	314	343	372	401	430	459	488	517	546	575	604	633	662	691
32		9.95	22.70	42.40	79.10	114	148	180	212	244	275	306	336	367	398	429	460	491	522	553	584	615	646	677	708	739
35		11.00	25.00	46.70	87.10	125	162	199	234	269	303	337	371	404	437	471	504	537	570	603	636	669	702	735	768	801
40		12.70	28.90	53.90	101	145	188	229	270	311	350	389	428	467	506	545	584	623	662	701	740	779	818	857	896	935
45		14.40	32.80	61.20	114	165	213	261	307	353	398	442	486	530	574	618	662	706	750	794	838	882	926	970	1014	1058
50		16.10	36.80	68.60	128	184	239	292	344	395	446	496	545	594	643	692	741	790	839	888	937	986	1035	1084	1133	1182
55		17.90	40.70	76.00	142	204	265	324	381	438	494	549	604	658	712	766	820	874	928	982	1036	1090	1144	1198	1252	1306
60		19.60	44.80	83.50	156	224	291	356	419	481	543	603	663	723	783	843	903	963	1023	1083	1143	1203	1263	1323	1383	1443

Note: 1. Value in above table is for single strand chain only.
 For multiplex chain, please apply the coefficient of Multi-strand. Please refer to chain selection on P.64.
 2. Please consult with us when the ratings are to the right of the solid blue line.