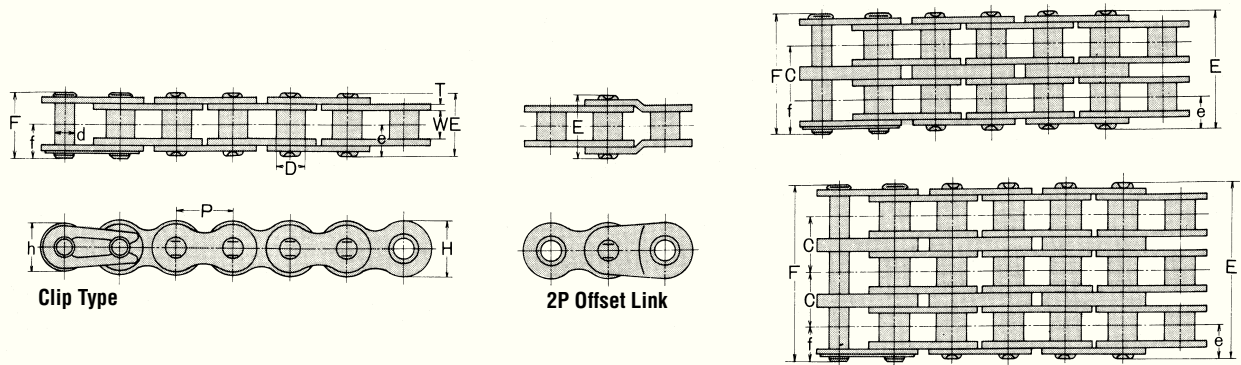


RC25 Standard Roller Chain



Dimensions

Unit (inch)

Chain No.	DID	ANSI	Pitch P	Roller Link Width W	Bush Dia. D	Pin					Transverse Pitch C	Plate			JIS Min. Tensile Strength lbs	DID Min. Tensile Strength lbs	DID Avg. Tensile Strength lbs	DID Max. Allowable Load lbs	Approx. Weight (lbs/ft)
						d	E	F	e	L		T	H	h					
RC25	25	25	0.250	0.125	0.130	0.091	0.307	0.335	0.154	0.185	0.252	0.028	0.232	0.205	785	814	990	165	0.09
RC25-2	25-2						0.567	0.591							1571	1628	1980	264	0.17
RC25-3	25-3						0.819	0.843							2356	2442	2970	396	0.26
RC25-4	25-4						1.071	1.094							3142	3256	3960	528	0.35
RC25-5	25-5						1.327	1.350							3927	4070	4950	638	0.44

Max. Horsepower Ratings

Unit (hp)

Type of Lubrication No. of Teeth of Small Sprocket	Revolutions per minute-Small Sprocket (rpm) (Please refer to P.76 for more details regarding type of lubrication A, B and C.)																			
	100	500	900	1200	1800	2500	3000	3500	4000	4500	5000	5500	6000	6500	7000	7500	8000	8500	9000	10000
	A																			
11	0.05	0.24	0.42	0.54	0.78	1.03	1.22	1.41	1.38	1.15	0.99	0.86	0.75	0.67	0.59	0.54	0.48	0.44	0.40	0.35
12	0.07	0.27	0.46	0.59	0.84	1.14	1.34	1.54	1.57	1.31	1.13	0.98	0.86	0.76	0.68	0.62	0.55	0.51	0.47	0.40
13	0.07	0.29	0.50	0.64	0.92	1.25	1.46	1.68	1.77	1.49	1.27	1.10	0.97	0.86	0.76	0.68	0.63	0.58	0.52	0.44
14	0.08	0.32	0.54	0.70	1.01	1.34	1.58	1.82	1.98	1.66	1.42	1.23	1.07	0.95	0.86	0.78	0.70	0.64	0.59	0.50
15	0.08	0.34	0.58	0.75	1.07	1.45	1.70	1.96	2.20	1.84	1.57	1.37	1.19	1.06	0.95	0.86	0.78	0.71	0.66	0.55
16	0.08	0.36	0.62	0.80	1.15	1.55	1.84	2.10	2.37	2.02	1.73	1.50	1.31	1.17	1.05	0.94	0.86	0.78	0.71	0.62
17	0.09	0.39	0.66	0.86	1.23	1.66	1.96	2.24	2.53	2.23	1.89	1.65	1.45	1.27	1.14	1.03	0.94	0.86	0.79	0.67
18	0.09	0.42	0.70	0.91	1.31	1.77	2.08	2.39	2.69	2.43	2.06	1.80	1.57	1.39	1.25	1.13	1.02	0.94	0.86	0.72
19	0.11	0.44	0.75	0.97	1.39	1.88	2.20	2.53	2.86	2.63	2.24	1.94	1.70	1.51	1.35	1.22	1.11	1.01	0.92	0.79
20	0.11	0.47	0.79	1.02	1.47	1.97	2.33	2.68	3.02	2.83	2.43	2.09	1.84	1.64	1.46	1.31	1.19	1.09	1.01	0.86
21	0.12	0.50	0.83	1.07	1.55	2.08	2.45	2.82	3.18	3.04	2.60	2.25	1.98	1.76	1.57	1.42	1.29	1.18	1.07	0.92
22	0.12	0.51	0.87	1.13	1.64	2.18	2.59	2.96	3.35	3.27	2.79	2.43	2.12	1.88	1.69	1.51	1.38	1.26	1.15	0.99
23	0.12	0.54	0.91	1.19	1.72	2.29	2.71	3.11	3.51	3.50	2.99	2.59	2.27	2.01	1.80	1.62	1.47	1.34	1.23	1.06
24	0.13	0.56	0.97	1.25	1.80	2.41	2.84	3.26	3.67	3.73	3.18	2.76	2.43	2.14	1.92	1.73	1.57	1.43	1.31	1.13
25	0.13	0.59	1.01	1.30	1.88	2.52	2.96	3.40	3.83	3.95	3.38	2.94	2.57	2.28	2.04	1.84	1.68	1.53	1.39	1.19
28	0.16	0.67	1.14	1.47	2.12	2.84	3.35	3.85	4.34	4.69	4.01	3.47	3.04	2.71	2.43	2.18	1.98	1.81	1.66	1.42
30	0.17	0.72	1.22	1.58	2.28	3.06	3.61	4.14	4.68	5.20	4.45	3.85	3.38	3.00	2.68	2.43	2.20	2.01	1.84	1.57
32	0.19	0.78	1.31	1.70	2.44	3.28	3.87	4.45	5.01	5.58	4.89	4.25	3.73	3.30	2.96	2.67	2.43	2.21	2.02	1.73
35	0.20	0.84	1.45	1.86	2.69	3.62	4.26	4.89	5.52	6.14	5.60	4.85	4.26	3.78	3.38	3.04	2.76	2.53	2.32	1.98
40	0.23	0.98	1.66	2.16	3.11	4.18	4.92	5.66	6.38	7.09	6.85	5.94	5.20	4.61	4.13	3.73	3.38	3.08	2.83	2.43
45	0.27	1.11	1.89	2.45	3.53	4.75	5.59	6.42	7.24	8.06	8.16	7.08	6.21	5.51	4.93	4.45	4.03	3.69	3.38	2.88
50	0.29	1.25	2.12	2.75	3.95	5.32	6.26	7.20	8.12	9.02	9.57	8.28	7.28	6.45	5.78	5.20	4.73	4.32	3.95	3.38
55	0.32	1.38	2.35	3.04	4.38	5.90	6.94	7.98	8.99	10.0	11.0	9.57	8.39	7.44	6.66	6.01	5.46	4.97	4.57	3.90
60	0.36	1.51	2.59	3.35	4.81	6.47	7.63	8.77	9.88	11.0	12.1	10.9	9.57	8.49	7.59	6.85	6.21	5.67	5.20	4.45

Note: Value in above table is for single strand chain only.

For multiplex chain, please apply the coefficient of Multi-strand. Please refer to chain selection on P.64.