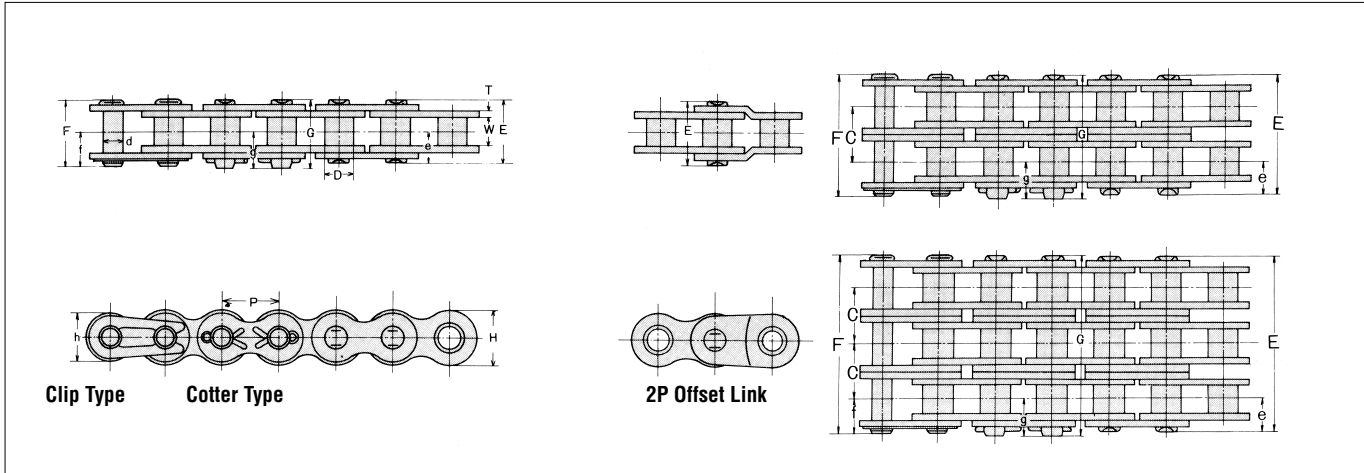


# RC35 Standard Roller Chain

TRANSMISSION  
ROLLER CHAIN



### Dimensions

Unit (inches)

Chain No.	DID	ANSI	Pitch P	Roller Link Width W	Bush Dia. D	Pin						Transverse Pitch C	Plate			JIS Min. Tensile Strength lbs.	DID Min. Tensile Strength lbs.	DID Avg. Tensile Strength lbs.	DID Max. Allowable Load lbs.	Approx. Weight (lbs/ft)	
						d	E	F	G	e	f		g	T	H						h
RC35	35		0.375	0.188	0.200	0.141	0.472	0.516	0.555	0.236	0.287	0.291	0.398	0.049	0.354	0.305	1773	1980	2530	484	0.21
RC35-2	35-2						0.870	0.913	0.925								3546	3960	5060	814	0.46
RC35-3	35-3						1.268	1.315	1.327								5320	5940	7590	1210	0.70
RC35-4	35-4						1.665	1.713	1.724								7093	7920	10120	1584	0.95
RC35-5	35-5						2.067	2.114	2.126								8866	9900	12650	1870	1.19

### Max. Horsepower Ratings

Unit (hp)

No. of Teeth of Small Sprocket	Revolutions per minute-Small Sprocket (rpm) (Please refer to P.76 for more details regarding type of lubrication A, B and C.)																					
	Type of Lubrication			100	500	900	1200	1800	2500	3000	3500	4000	4500	5000	5500	6000	6500	7000	7500	8000		
	8500	9000	10000																			
11	0.23	0.99	1.69	2.18	3.14	3.86	2.94	2.33	1.90	1.60	1.37	1.18	1.03	0.92	0.82	0.74	0.67	0.62	0.56	0.48		
12	0.25	1.09	1.85	2.40	3.45	4.40	3.35	2.65	2.17	1.82	1.55	1.35	1.18	1.05	0.94	0.84	0.76	0.70	0.64	0.55		
13	0.28	1.19	2.01	2.61	3.77	4.96	3.78	2.99	2.45	2.05	1.76	1.51	1.34	1.18	1.06	0.95	0.87	0.79	0.72	0.62		
14	0.31	1.29	2.18	2.83	4.08	5.48	4.22	3.35	2.73	2.29	1.96	1.70	1.49	1.33	1.18	1.07	0.97	0.88	0.82	0.70		
15	0.32	1.38	2.36	3.04	4.40	5.90	4.68	3.71	3.04	2.55	2.17	1.89	1.65	1.46	1.31	1.18	1.07	0.98	0.90	0.76		
16	0.35	1.49	2.52	3.27	4.71	6.33	5.15	4.09	3.35	2.80	2.40	2.08	1.82	1.62	1.45	1.30	1.18	1.09	0.99	0.84		
17	0.38	1.58	2.69	3.49	5.03	6.76	5.64	4.48	3.66	3.07	2.63	2.28	2.00	1.77	1.58	1.43	1.30	1.18	1.09	0.92		
18	0.40	1.69	2.87	3.71	5.35	7.18	6.15	4.88	3.99	3.35	2.86	2.48	2.17	1.93	1.73	1.55	1.41	1.29	1.18	1.01		
19	0.42	1.78	3.04	3.94	5.67	7.61	6.66	5.29	4.33	3.63	3.10	2.68	2.36	2.09	1.88	1.69	1.53	1.39	1.29	1.10		
20	0.44	1.89	3.20	4.16	5.99	8.06	7.20	5.71	4.68	3.91	3.35	2.90	2.55	2.25	2.02	1.82	1.65	1.51	1.38	1.18		
21	0.47	2.00	3.38	4.38	6.31	8.49	7.75	6.15	5.03	4.22	3.61	3.12	2.73	2.43	2.17	1.96	1.78	1.62	1.49	1.27		
22	0.50	2.09	3.55	4.61	6.64	8.93	8.31	6.60	5.40	4.52	3.86	3.35	2.94	2.60	2.33	2.10	1.90	1.74	1.60	1.37		
23	0.52	2.20	3.73	4.84	6.97	9.36	8.89	7.05	5.76	4.84	4.13	3.58	3.14	2.79	2.49	2.25	2.04	1.86	1.70	1.46		
24	0.54	2.31	3.91	5.07	7.29	9.80	9.46	7.51	6.15	5.15	4.40	3.81	3.35	2.96	2.65	2.40	2.17	1.98	1.82	1.55		
25	0.56	2.41	4.09	5.29	7.63	10.20	10.10	7.99	6.54	5.48	4.68	4.05	3.55	3.15	2.83	2.55	2.31	2.10	1.93	1.65		
28	0.64	2.72	4.61	5.98	8.62	11.60	11.90	9.46	7.75	6.49	5.55	4.80	4.22	3.74	3.35	3.02	2.73	2.51	2.29	1.96		
30	0.68	2.94	4.97	6.45	9.28	12.50	13.20	10.50	8.59	7.20	6.15	5.34	4.68	4.14	3.71	3.35	3.04	2.77	2.55	2.17		
32	0.74	3.14	5.34	6.90	9.95	13.40	14.60	11.60	9.46	7.94	6.77	5.87	5.15	4.57	4.09	3.69	3.35	3.06	2.80	2.40		
35	0.82	3.46	5.87	7.61	11.00	14.70	16.60	13.20	10.80	9.08	7.75	6.72	5.90	5.23	4.68	4.22	3.83	3.50	3.20			
40	0.94	3.99	6.78	8.79	12.70	17.00	20.10	16.20	13.20	11.10	9.46	8.20	7.20	6.38	5.71	5.15	4.68					
45	1.07	4.54	7.47	9.99	14.30	19.30	22.80	19.30	15.80	13.20	11.30	9.79	8.59	7.61	6.82	6.15						
50	1.19	5.09	8.63	11.20	16.10	21.70	25.50	22.70	18.50	15.50	13.20	11.50	10.10	8.93								
55	1.33	5.64	9.57	12.40	17.80	24.00	28.30	26.00	21.30	17.80	15.30	13.20	11.60									
60	1.46	6.19	10.50	13.70	19.60	26.40	31.10	29.80	24.30	20.40												

Note: Value in above table is for single strand chain only.  
For multiplex chain, please apply the coefficient of Multi-strand. Please refer to chain selection on P.64.